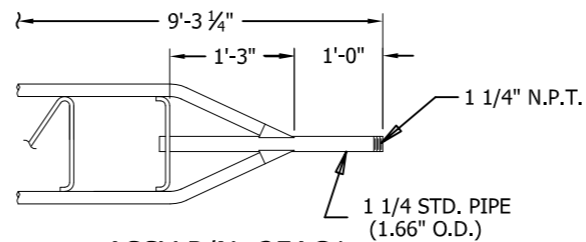


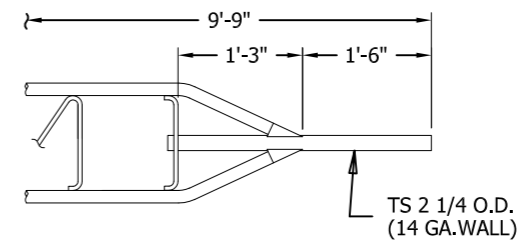
ASSY P/N: 25AG

1-25AJBK
1-25AGX



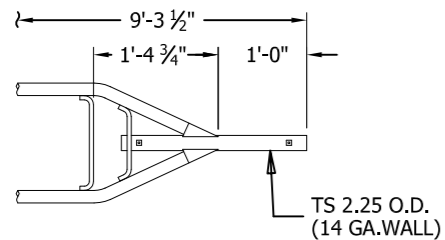
ASSY P/N: 25AG1

1-25JBK
1-25AG1X



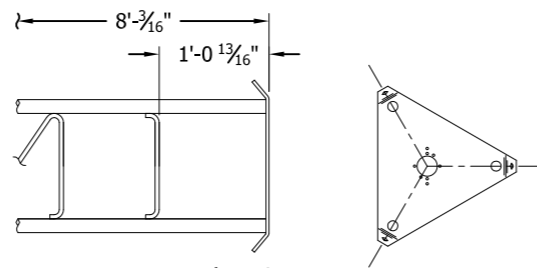
ASSY P/N: 25AG2

1-25JBK
1-25AG2X



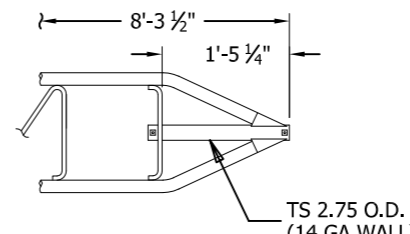
ASSY P/N: 25AG3

1-25AJBK3
1-25AG3X



ASSY P/N: 25AG4

1-25JBK
1-25AG4X

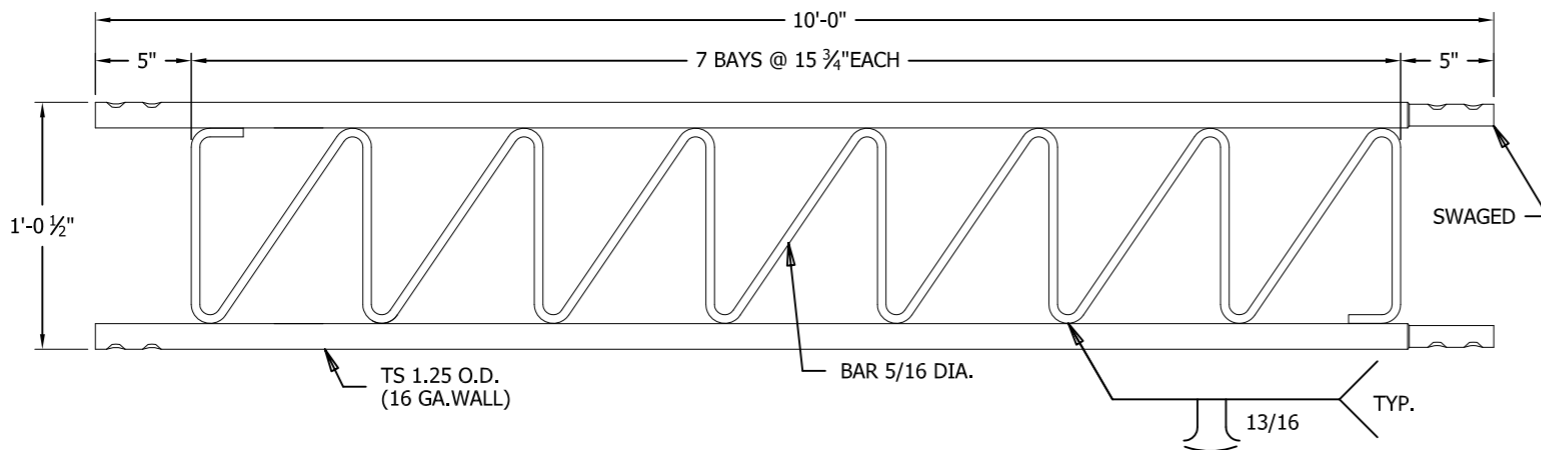


ASSY P/N: 25AG5

1-25AJBK
1-25AG5X

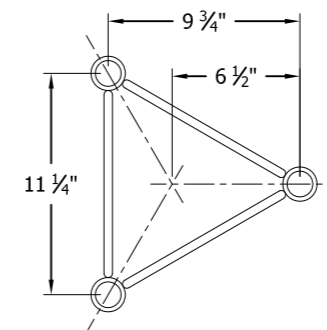
TYPICAL PLAN VIEW
(FOR ALL SECTIONS EXCEPT 25AG4)

NOTE: SPECIFICATIONS OF TOP SECTIONS ARE THE SAME AS SECTION NO.25G EXCEPT AS NOTED ABOVE.



ASSY P/N: 25G SECTION

1-25JBK
1-25GX



SAE GRADE 5 BOLT ASSY'S P/N:25AJBK OR 25JBK REQUIRED
(3) 1/4" DIA. X 1 1/2" LG. (NF BOLTS)
(3) 5/16" DIA. X 1 1/2" LG. (NF BOLTS)

NOMENCLATURE

A = CROSS SECTIONAL AREA (SQUARE INCHES)
C = COMPRESSION CAPACITY WITH 1/3 INCREASE IN ALLOWABLE STRESS (KIPS)
I = MOMENT OF INERTIA ABOUT CENTROIDAL AXIS (INCHES**4)
F_y = MINIMUM YIELD STRENGTH (KSI)
K = EFFECTIVE LENGTH FACTOR (DIMENSIONLESS)
L = UNBRACED LENGTH (INCHES)
M = MOMENT CAPACITY WITH 1/3 INCREASE IN ALLOWABLE STRESS (FT.-KIPS).
N/A= NOT APPLICABLE
r = RADIUS OF GYRATION (INCHES)
S = ELASTIC SECTION MODULUS (INCHES**3)
T = TENSION CAPACITY WITH 1/3 INCREASE IN ALLOWABLE STRESS (KIPS)

NOTE: CAPACITIES SHOWN ARE BASED ON ANSI/TIA/EIA-222-F-1996.

SEC.>>>	25G TOWER SECTION PROPERTIES		
ITEM	LEGS	BRACES	SECTION
SIZE	TS 1.25 ODX.065 WALL	BAR 5/16 DIA.	N/A
F _y	50.0	36.0	N/A
A	0.2420	0.0770	0.726
S	0.0682	0.0030	2.15
I	0.0426	0.00047	15.3
r	0.4196	0.0781	4.59
L	15.7500	18.7	VARIES
K	1.0	0.70	1.0
KL/r	37.5	167.6	VARIES
C	8.43	0.55	N/A
T	8.28	N/A	N/A
M	N/A	N/A	6.72

TOTAL SECTION WEIGHT = 41.1#

FILE NO.	Standard-25G			
REVISIONS				
REV.	DESCRIPTION	DWN	CHK	APP
12	REDRAWN IN AUTOCAD DATE: Jul/24/2006	JDA	M.F	H.A
13	ADDED BOM'S FOR EACH SECTION DATE: Jul/24/2006	DLJ	JDM	HA

DWG REFERENCE	



6718 WEST PLANK ROAD
PEORIA, IL 61604
TOLL FREE 800-727-ROHN

THIS DRAWING IS THE PROPERTY OF ROHN. IT IS NOT TO BE REPRODUCED, COPIED OR TRACED IN WHOLE OR IN PART WITHOUT OUR WRITTEN CONSENT.

SECTION ASSEMBLY
25G SECTIONS

DWN:	JDM	CHK'D:	H.A	DATE:	Feb/12/2004	
ENGR:	CMH					
DRAWING NO:	C630625				REV:	13